

**Alpha Screen**

**Acoustic Screen**



**Specifications**

Finishing Material : **PES**

Dimensions - **Width (200 - 3000 mm)**

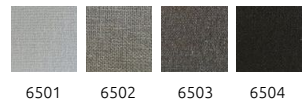
- **Height (300 - 3200 mm)**

Installation - **Mechanical**

**Description**

Made of 100% PES, the Alpha Screen is the perfect solution for an acoustically aware room design. This new window screen is an every-day object turned into an efficient acoustic element that can help you get the best possible sounding environment. The Alpha Screen is a perfect solution for controlling window reflection, an unwanted contribution to many rooms. The screen is especially effective at mid range and high frequency, making it a perfect solution for improving speech intelligibility, ideal for environments such as offices or restaurants.

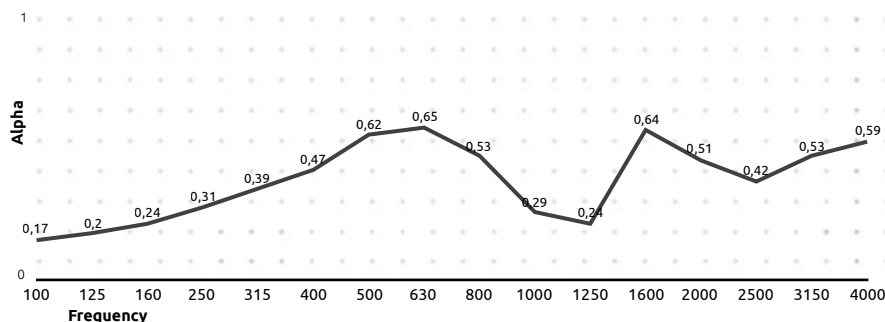
Fabric colour finishes



**Technical Information**

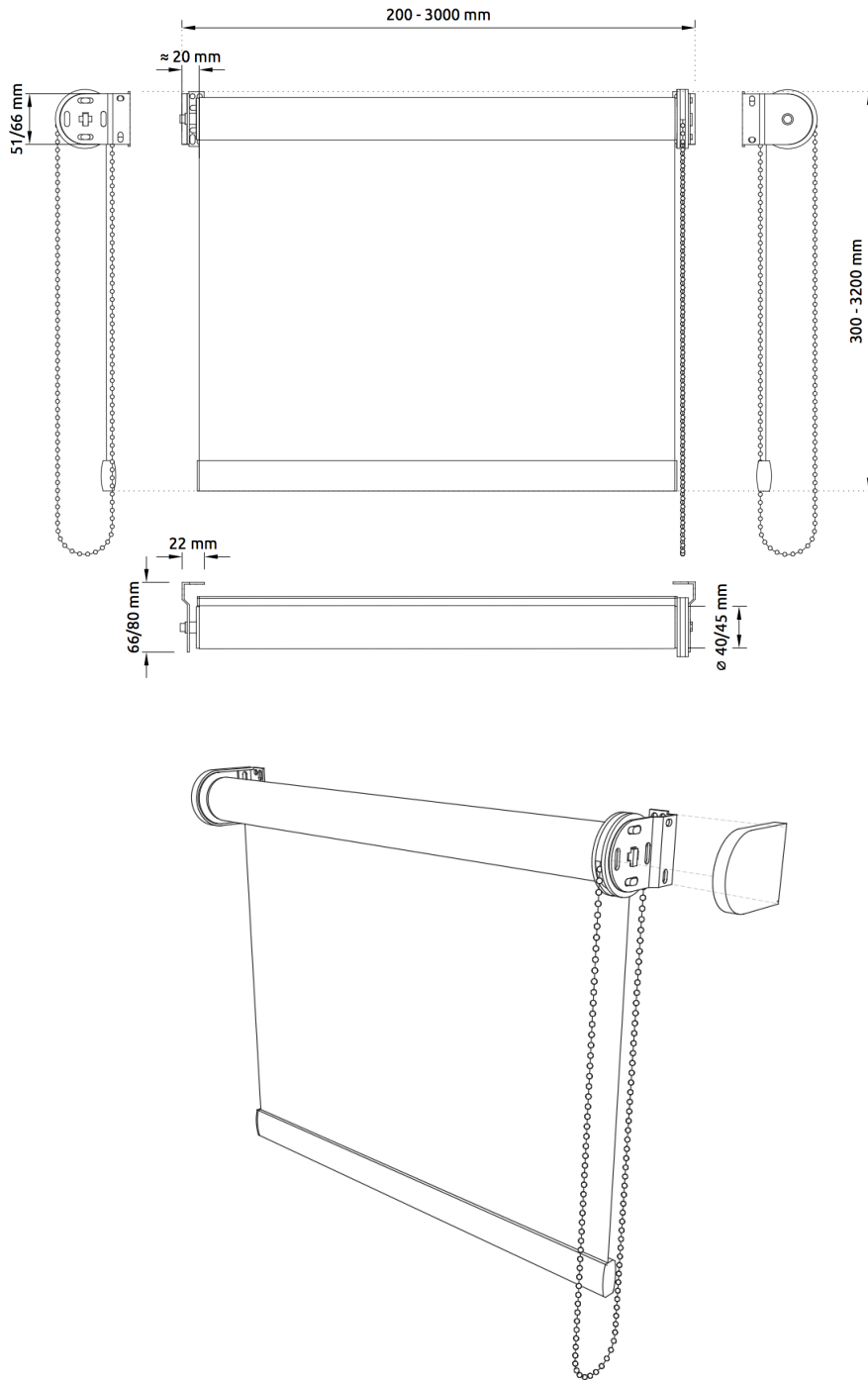
Model	Width [mm]		Height [mm]		Max Area [m <sup>2</sup> ]	Fabric Thickness [mm]	Fabric Openness Factor [%]	Fabric Specific Weight [g/m <sup>2</sup> ]
	Min	Max	Min	Max				
Ø32 mm Tube	200	1500	300	2500	3,5	0,31	4	178
Ø40 mm Tube	200	2400	300	3200	7,5			
Ø45 mm Tube	200	3000	300	3200	8			

**Performance**



hello@artnovion.com  
www.artnovion.com

**Technical Drawings**



**Alpha Screen**  
**Acoustic Screen**

**Specifications**

Finishing Material : **PES**

Dimensions - **Width (200 - 3000 mm)**

- **Height (300 - 3200 mm)**

Installation - **Mechanical**

Fabric colour finishes

