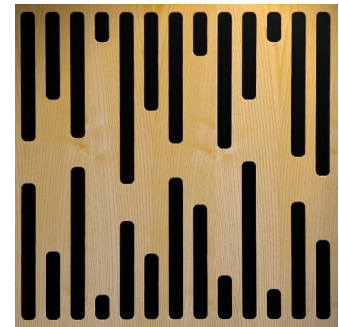
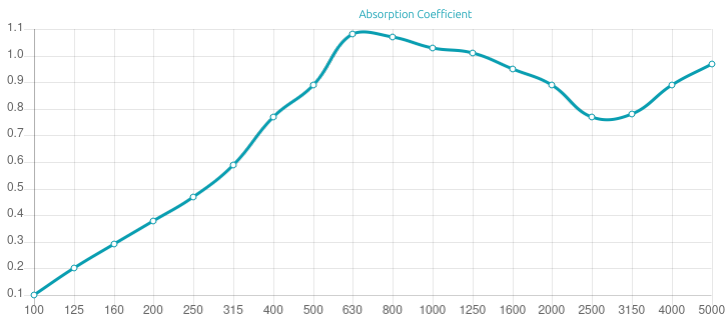
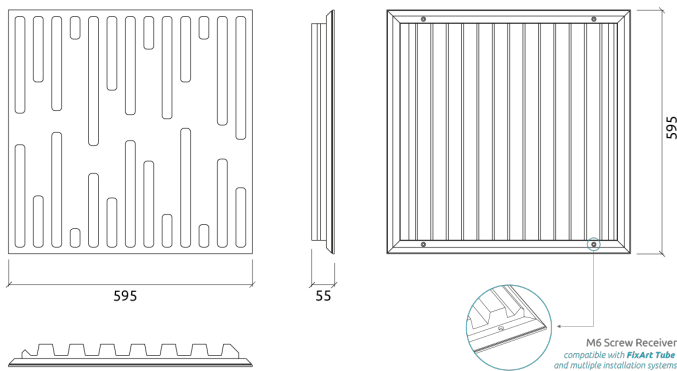




Performance



Technical Information



Features

Type:
Acoustic Absorber
Absorption range: 315 Hz to 3150 Hz

Acoustic Class: C | (α_w) = 0,75

Available fire rate:
FG | Furniture Grade

- Materials:
- Natural wood | Lacquered HMDF
 - Acoustic fabric
 - Marine grade plywood structural frame
 - Calibrated cell acoustic foam (Rear panels' air cavities)

Four M6 Screw Thread receiver included on each panel.

Dimensions:

FG - LW | 595x595x55mm | 1.78 Kg
FG - NW | 595x595x55mm | 1.87 Kg

The latest addition to the Pro Audio and studio range.

Orion brings the distinct design of our flagship Logan diffuser to new horizons. An array of Orion absorbers create areas with a distinct acoustic response, each calibrated to work at a certain frequency range.

Using these Helmholtz-style absorption techniques boosts mid-low and mid range absorption, whilst the open areas of the panel are enough to guarantee high-frequency absorption. Orion is a great technical product, designed for the studio world, where each surface is critical - making sure that you get the best out of your studio. Orion's performance begins at 315 Hz and offers effective and even absorption up to 3150 Hz.

- Orion is an impressive combination of unique Artnovion acoustic design with high performance acoustical cores.

- Orion absorber panels can be effortlessly installed on walls or ceilings.

Product finishes

(FG - LW) Lacquered Wood Finishes



FG | (L01) Blanc



FG | (L02) Noir



FG | (L03) Rouge



FG | (L05) Silver



FG | (L06) Noir Vintage



FG | (L07) Graphite Black



FG | (L08) Rose Gold



FG | (L09) Classic Gold



FG | (L10) Bronze



FG | (L11) Raw White



FG | (L12) Raw Black

(FG - NW) Natural Wood Finishes



FG | (W01) Cerise



FG | (W02) Marron



FG | (W03) Wenge

Orion W - Absorber

Wooden Absorber



Purpose

- Sweet spot sound field distribution
- RT reduction

Recommended for

- Control Room
- Recording Room
- Home Studio
- Broadcast Studio
- Vocal Booth
- Drum Room

Fixing Systems

Wall & Ceiling



+ FixArt Clip



+ GlueArt 2.0



+ Instant Fix Kit



+ FixArt Tube

Add-ons



+ FixArt Connect



+ FixArt Tube Lock



+ M6 Screw Thread receiver - Add-on



+ Fabric side cover kit

Mobile



+ Kit Mobile Wall