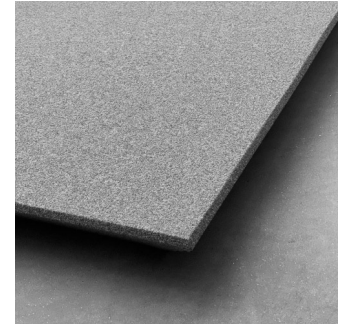
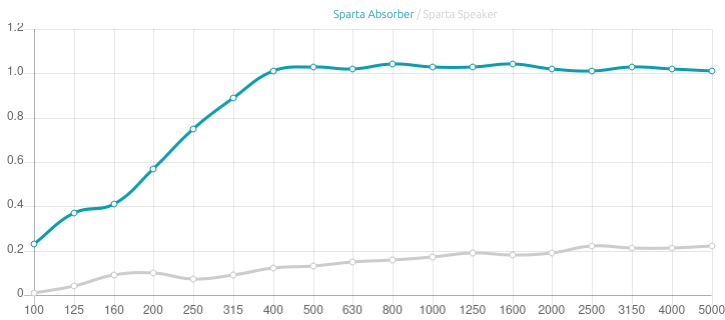
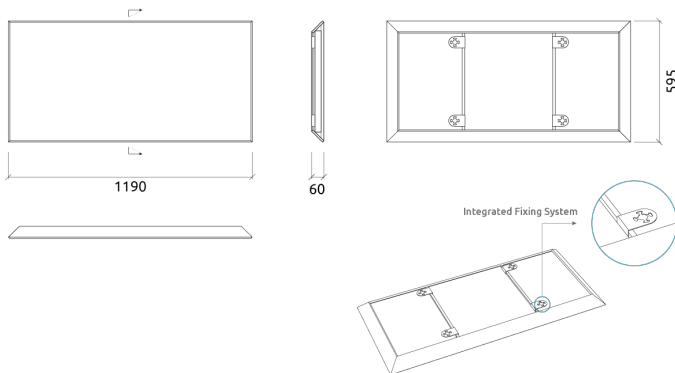




Performance



Technical Information



Features

Type: Absorber

Absorption Range: 350 Hz to 8000 Hz

Acoustic Class: B | (aw) = 0,95

Available fire rate:

FG | Furniture Grade

Materials:

- Acoustic fabric
- Structural frame
- Calibrated cell acoustic foam.

Dimensions:

FG - SF | 1190x595x60mm | 3.38 Kg

FG - WF | 1190x595x60mm | 3.38 Kg

Sparta - Range

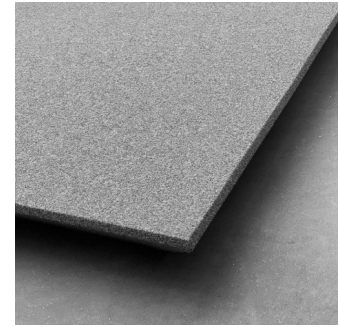
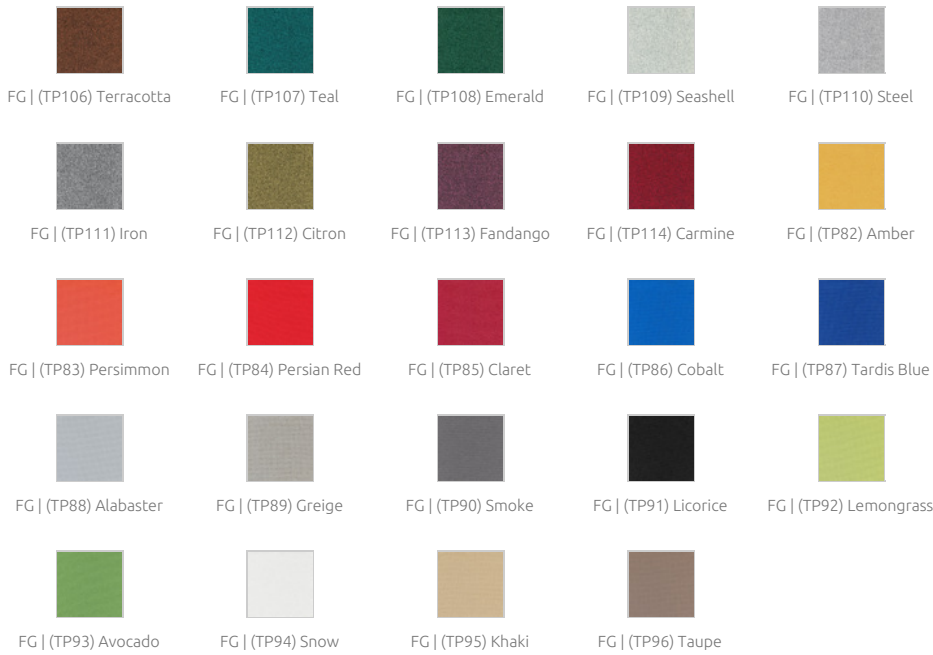
Sparta is an acoustic panel with a simple design, that provides a broadband absorption range. Sparta is aimed for people who want to maintain neutral aesthetics in their home cinema, but require a proper acoustic solution. In line with this concept, Artnovion also created a speaker cover version, a visually identical solution that allows for speaker integration. Sparta Speaker is made using an acoustically transparent fabric, carefully developed to preserve the speaker response pattern. Sparta is an acoustic panel with a simple design fashioned for an absorption treatment range from 350 Hz up to 8000 Hz.

Product finishes

(FG - SF) Suede Fabric Finishes



(FG - WF) Weave Fabric Finishes



Purpose

- Improved speech intelligibility
- Noise control
- Reducing excessive reverberation

Recommended for

- Home Cinema
- Home Theater
- Media Room
- Living Room