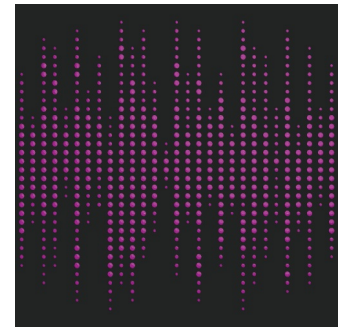
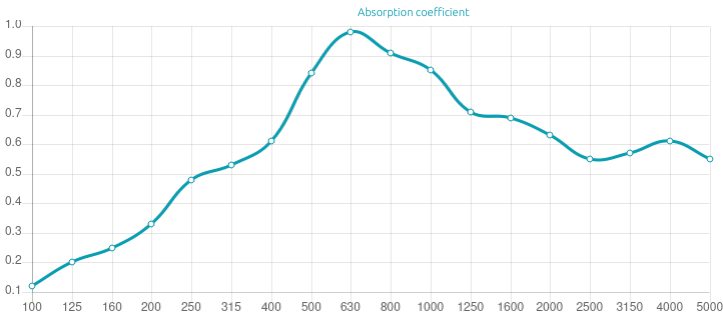
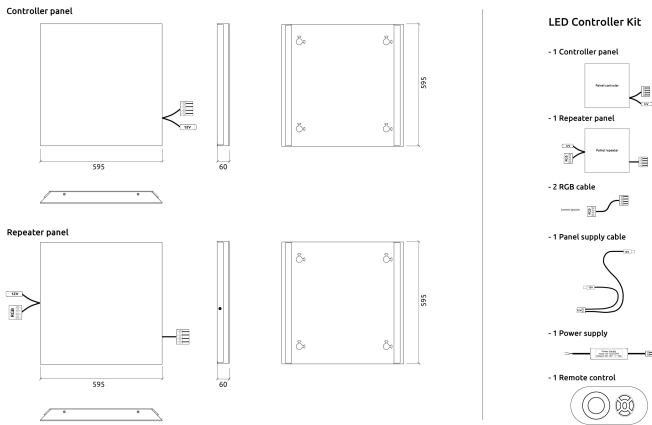


Performance



Technical Information



Features

Type:  
Absorber

Absorption range: 250 Hz to 4000 Hz

Acoustic Class: C | ( $\alpha_w$ ) = 0,7

Available fire rates:  
FG | Furniture Grade

Materials:  
- Natural wood | Lacquered HMDF  
- Marine grade plywood structural frame  
- Calibrated cell acoustic foam

Range | Dimensions:

Led Controller Kit

- 595x595x60mm

Led Repeater Kit

- 595x595x60mm

Led Controller Kit include:

- 1 Controller panel
- 1 Repeater panel

Led Repeater Kit include:

- 2 Repeater panel

The LED panel range is a range of backlit, high performance, acoustic absorbers.

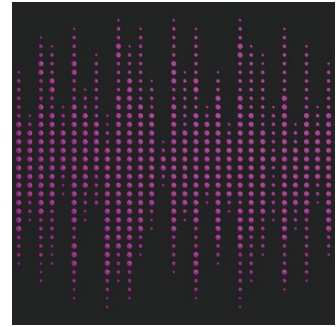
Each panel is equipped with RGB LED, that can be configured to work either independently or in groups. Creating your dream environment has never been easier.

Each panel has an enclosed acoustic core, boosting mid-high absorption performance - perfect for controlling parallel reflections and target mid-range absorption. Equipped with smooth LED lighting and concealed controller units.

## Athos W - LED | Range

### LED Wooden Absorber

---



#### Purpose

- Sweet spot sound field distribution
- RT reduction

#### Recommended for

- Control Room
- Recording Room
- Home Studio
- Broadcast Studio
- Vocal Booth
- Drum Room