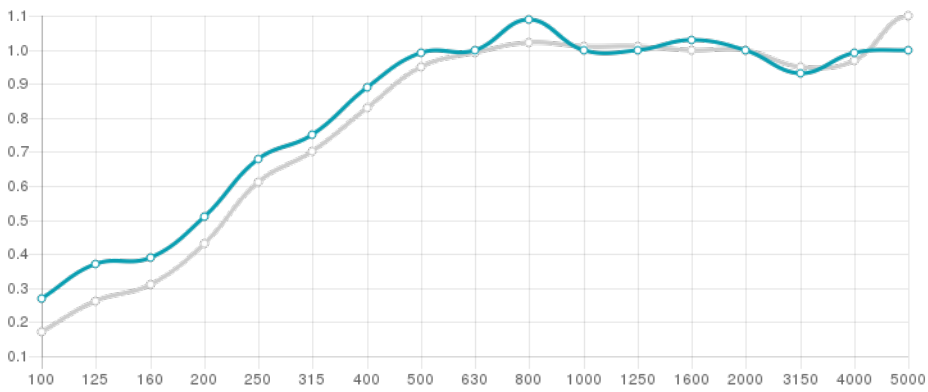




Performance



Features

Acoustic performance:

Absorption range:
160 Hz to 8000 Hz
Acoustic Class:
A | (α_w) = 0,95

Dimensions:

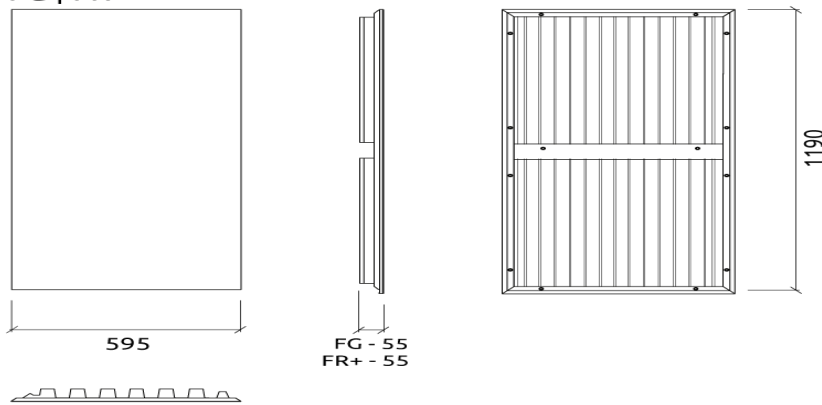
Ulysses - Absorber
FG: 595x595x55mm
FR+: 595x595x55mm
FR++: 595x595x41mm

Ulysses Doble - Absorber
FG: 595x1190x55mm
FR+: 595x1190x55mm
FR++: 595x1190x41mm

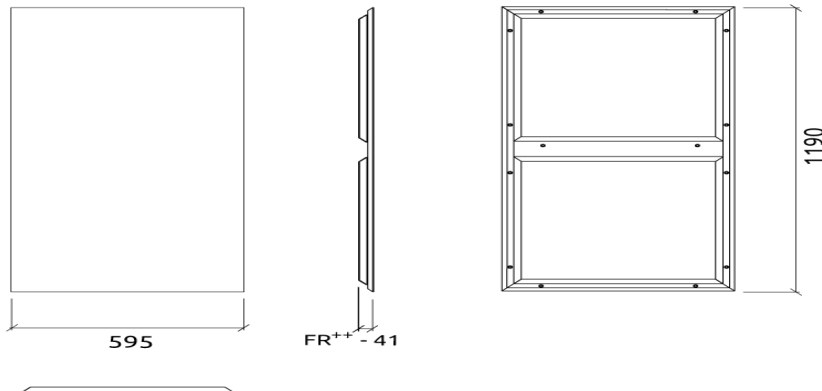
Click on a certain finish for more detailed information

Technical Information

FG | FR+



FR++



Ulysses range are an acoustic panels with a simple design fashioned for an absorption treatment range from 160 Hz up to 8000 Hz.

Artnovion developed Ulysses for people who do not like to change the aesthetics of their studios, but still want a proper acoustic solution for problems such as first reflection control.

Easy and effortless to apply, this acoustic panel is a classic and timeless solution.

Product finishes

(FG) Product Fire Grade - Furniture Grade



FG | (T01) Grigio



FG | (T02) Bianco



FG | (T03) Noce



FG | (T04) Gentian



FG | (T05) Nero



FG | (T06) Nebbia



FG | (T07) Bordo



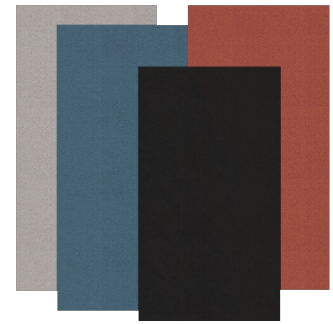
FG | (T08) Fucsia



FG | (T09)
Pistacchio



FG | (T10) Turchese



Features

Acoustic performance:

Absorption range:

160 Hz to 8000 Hz

Acoustic Class:

A | (α_w) = 0,95

Dimensions:

Ulysses - Absorber

FG: 595x595x55mm

FR+: 595x595x55mm

FR++: 595x595x41mm

Ulysses Doble - Absorber

FG: 595x1190x55mm

FR+: 595x1190x55mm

FR++: 595x1190x41mm

Click on a certain finish for more detailed information

Fixing Systems

Wall & Ceiling



+ FixArt Tube



+ FixArt Clip



+ GlueArt

Ceiling



+ FixArt Cloud

Add-ons



+ FixArt Tube Lock | Accessories |



+ FixArt Connect



+ Kit Mobile Wall



+ M6 Screw Thread receiver - Add-on