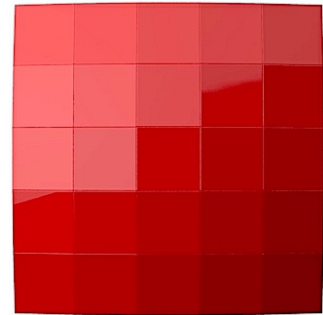
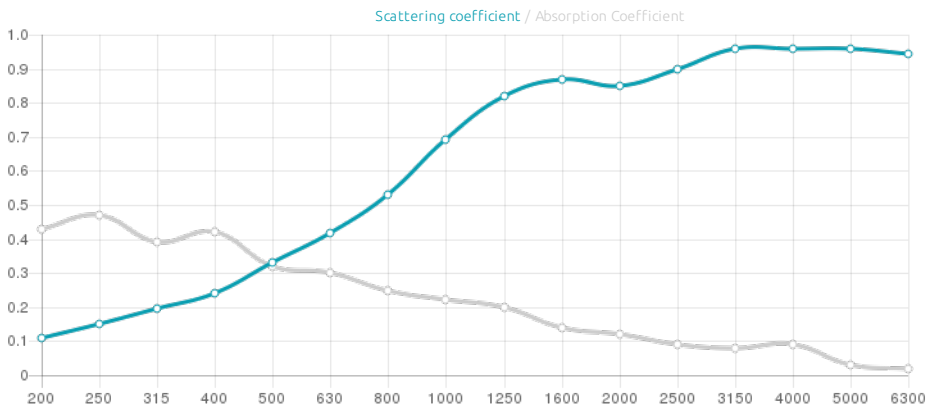


Performance



Features

Type: 2D - Geometric Diffuser

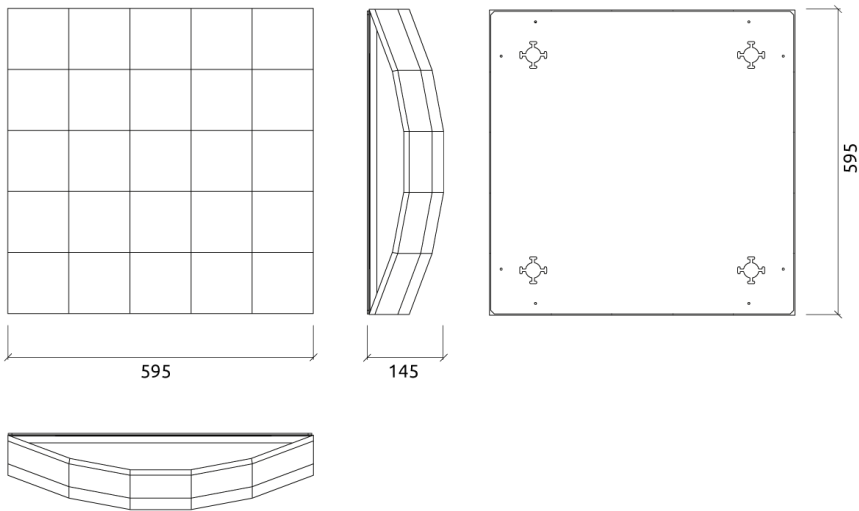
Scattering range: 600 Hz to 6000 Hz

Available fire rate:
FG | Furniture Grade

Materials:
- Natural wood veneer | Lacquered HMDF
- HMDF and plywood structure

Four M6 Screw Thread receiver included
on each panel.

Technical Information



Dimensions:

FG - LW | 595x595x150mm | 3.4 Kg
FG - NW | 595x595x150mm | 3.12 Kg

Jaya W - Diffuser

Wooden Geometric Diffuser

Jaya W Diffuser is a product with an exquisite design, aiming to reach maximum high frequency diffusion. This handmade elliptic panel was designed to give you maximum efficiency in every way, particularly at high frequencies. The scattering of this panel begins at 600 Hz and offers effective and even diffusion up to 6000 Hz. This premium product is available in a wood finish or in lacquered colours, making it ideal to be used on the front, back or side walls of your room, as well as ceilings.

Product finishes

(FG - LW) Lacquered Wood Finishes



FG | (L01) Blanc



FG | (L02) Noir



FG | (L03) Rouge



FG | (L05) Silver



FG | (L06) Noir
Vintage



FG | (L07) Graphite
Black



FG | (L08) Rose Gold



FG | (L09) Classic
Gold



FG | (L10) Bronze

(FG - NW) Natural Wood Finishes



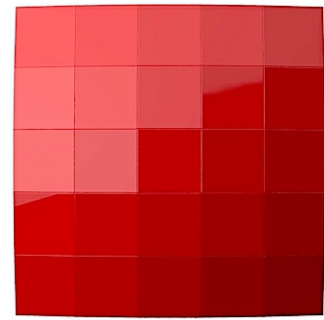
FG | (W01) Cerise



FG | (W02) Marron



FG | (W03) Wenge



Purpose

- Improving low frequency response
- Flutter echo control
- Specular reflection control
- Enlarging sweet spot

Recommended for

- Hi-Fi Listening Room
- Media Room
- Home Cinema

Fixing Systems

Mobile



+ Kit Mobile Wall

Wall & Ceiling



+ FixArt - Tube