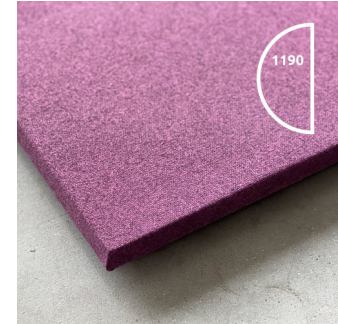
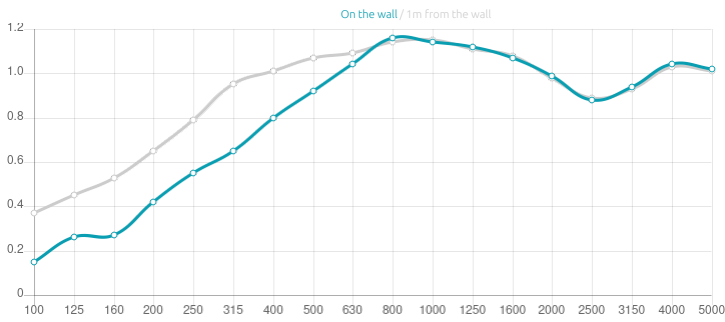
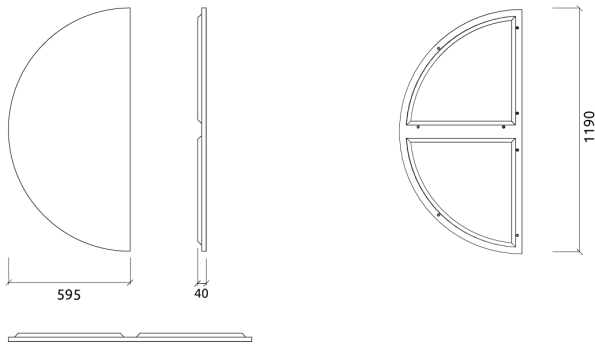




Performance



Technical Information



Features

Absorption Range: 350 Hz to 5000 Hz
Acoustic Class: B | (aw) = 0,85

This product is available in the following Fire Rate:
FG | Furniture Grade

PRODUCT COMPOSITION:

- Venice | Suede Fabric Finish (FG)
- Acoustic Suede Fabric
- Marine-grade Plywood Structural Frame
- Calibrated Cell Acoustic Foam

- Venice | Weave Fabric Finish (FG)
- Acoustic Weave Fabric -100% PL FR (Tr Cs) *
- Marine-grade Plywood Structural Frame
- Calibrated Cell Acoustic Foam

* Weave Fabric

- OEKO-TEX@ Standard 100 - Class 1
- Recyclable Fabric
- Fire Rate - EN 13501-1 esp 1,2 : B-s1, d0
- Maintenance washing: Use the vacuum-cleaner with smooth spout regularly, don't brush.

Dimensions:

FG - SF | 595x1190x39mm | 2.08 Kg
FG - WF | 595x1190x39mm | 2.08 Kg

Venice Absorber is an acoustic design tool.

Improving acoustics doesn't have to be at the cost of a well-designed space. The product's high-performance acoustic core is carefully wrapped in fabric, available in a wide range of shapes and finishes. This allows you total freedom when designing a space, that can either match and merge seamlessly with your colour scheme or form imaginative shapes and designs to create visual centrepieces.

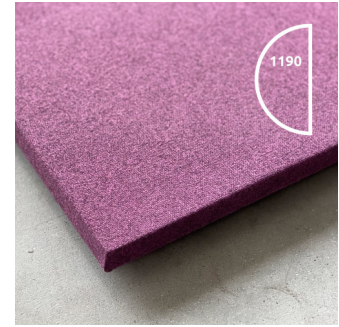
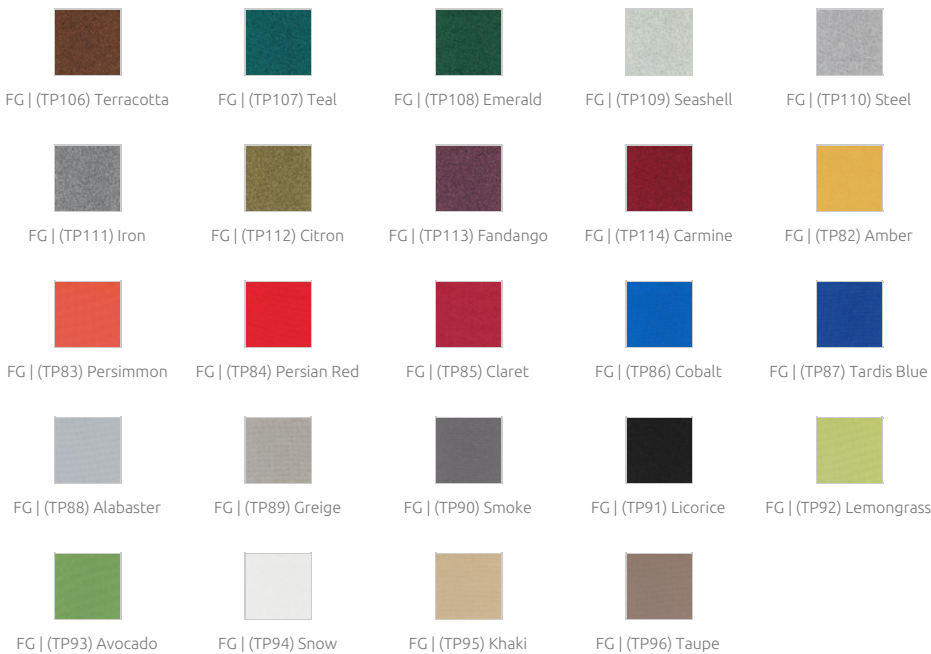
Venice is equipped with an adjustable fixing system that allows for easy install and perfect alignment.

Product finishes

(FG - SF) Suede Fabric Finishes



(FG - WF) Weave Fabric Finishes



Purpose

- First reflection Control
- RT reduction
- Flutter echo control
- Reducing excessive reverberation
- Improving speech intelligibility

Recommended for

- Hi-Fi Listening Room
- Media Room
- Home Cinema
- Living Room

Fixing Systems

Wall & Ceiling



Add-ons



Mobile

